

Home Standby - 25 SAE

Liquid Cooled Gas Engine Generator Sets

Continuous Standby Power Rating

25kW 60 Hz

SAE = Sound Attenuated Enclosure

Prime Power Rating

20kW 60 Hz

Models:

04725 (25kW NG or LPG with 200 Amp ATS)

04726 (25kW NG or LPG - No ATS)

UL 2200 Listed



Power Matched

GENERAC 4G15 ENGINE

Naturally Aspirated

2 Year Limited Warranty

**Generac
200 Amp Automatic
Transfer Switch (UL Listed)
Included with model 04725.
Available for model
04726.**

FEATURES

- INNOVATIVE DESIGN & PROTOTYPE TESTING** are key components of GENERAC'S success in "IMPROVING POWER BY DESIGN." But it doesn't stop there. Total commitment to component testing, reliability testing, environmental testing, destruction and life testing, plus testing to applicable CSA, UL NEMA, EGSA, and other standards, allows you to choose GENERAC POWER SYSTEMS with the confidence that these systems will provide superior performance.
- TEST CRITERIA:**
 - ✓ **PROTOTYPE TESTED**
 - ✓ **SYSTEM TORSIONAL TESTED**
 - ✓ **ELECTRO-MAGNETIC INTERFERENCE**
 - ✓ **NEMA MG1-22 EVALUATION**
 - ✓ **MOTOR STARTING ABILITY**
- SOLID-STATE, FREQUENCY COMPENSATED VOLTAGE REGULATION.** This state-of-the-art power maximizing regulation system is standard on all Generac models. It provides optimized FAST RESPONSE to changing load conditions and MAXIMUM MOTOR STARTING CAPABILITY by electronically torque-matching the surge loads to the engine.
- SINGLE SOURCE SERVICE RESPONSE** from Generac's dealer network provides parts and service know-how for the entire unit, from the engine to the smallest electronic component. You are never on your own when you own a GENERAC POWER SYSTEM.
- GENERAC TRANSFER SWITCHES.** Long life and reliability are synonymous with GENERAC POWER SYSTEMS. One reason for this confidence is that the GENERAC product line includes its own transfer systems and controls for total system compatibility.



GENERATOR SPECIFICATIONS

TYPE	Two-pole, revolving field
ROTOR INSULATION	Class F
STATOR INSULATION	Class F
VOLTAGE WAVE FORM DEVIATION	<5%
TOTAL HARMONIC DISTORTION (line to line)	<5%
TELEPHONE INTERFERENCE FACTOR (TIF)	<50
ALTERNATOR	Self-ventilated and drip-proof
BEARINGS (PRE-LUBED & SEALED)	1
COUPLING	Direct, Flexible Disc
LOAD CAPACITY (STANDBY)	100%
LOAD CAPACITY (PRIME)	110%

NOTE: Emergency loading in compliance with NFPA 99, NFPA 110, paragraph 5-13.2.6. Generator rating and performance in accordance with ISO8528-5, BS5514, SAE J1349, ISO3046, and DIN6271 standards.

EXCITATION SYSTEM

DIRECT	DC excitation system ✓
	Low-velocity brushes and slip rings ✓
REGULATION	Solid-state ✓
	±1% regulation ✓

GENERATOR FEATURES

- Two pole, revolving field generator, directly connected to the engine shaft through a heavy-duty, flexible disc for permanent alignment.
- Generator meets temperature rise standards for class "F" insulation as defined by NEMA MG1-22.
- Stator windings are "trickle" varnished and rotor windings are "roll-dipped" for complete Class H impregnation.
- Unit tested for motorstarting ability by measuring instantaneous voltage dip with a waveform data acquisition system.
- All models utilize an advanced wire harness design for reliable interconnection within the circuitry.
- Magnetic circuit, including amortisseur windings, tooth and skewed stator design, provides a minimal level of waveform distortion and an electromagnetic interference level which meets accepted requirements for standard AM radio, TV, and marine radio telephone applications.
- Voltage waveform deviation, total harmonic content of the AC waveform, and balanced T.I.F. (Telephone Influence Factor) have been evaluated to acceptable standards in accordance with NEMA MG1-22.
- Alternator is of drip-proof guarded construction.
- Fully life-tested protective systems, including "field circuit and thermal overload protection" and standard mainline circuit breakers capable of handling full output capacity.
- System torsional acceptability confirmed during prototype testing.

Rating definitions - Standby: Applicable for supplying emergency power for the duration of the utility power outage. No overload capability is available for this rating. (All ratings in accordance with BS5514, ISO3046 and DIN6271). Prime (Unlimited Running Time): Applicable for supplying electric power in lieu of commercially purchased power. Prime power is the maximum power available at variable load. A 10% overload capacity is available for 1 hour in 12 hours. (All ratings in accordance with BS5514, ISO3046, ISO8528 and DIN6271).

ENGINE SPECIFICATIONS

MAKE	GENERAC
MODEL	MMC 4G15
CYLINDERS	4 in-line
DISPLACEMENT	1.5 Liter (91.5 cu. in.)
BORE	75.5 mm (2.97 in.)
STROKE	82 mm (3.23 in.)
COMPRESSION RATIO	9:4:1
INTAKE AIR	Naturally Aspirated
NUMBER OF MAIN BEARINGS	5
CONNECTING RODS	4-Drop forged steel
CYLINDER HEAD	S.O.H.C.
PISTONS	4-Aluminum Alloy
CRANKSHAFT	Drop Forged Steel

VALVE TRAIN

LIFTER TYPE	Rocker Arm Type
INTAKE VALVE MATERIAL	High Temperature Alloy Forged
EXHAUST VALVE MATERIAL	High Temperature Alloy Forged
VALVE SEATS	Replaceable

ENGINE GOVERNOR

<input type="checkbox"/> ELECTRONIC.....	Standard
FREQUENCY REGULATION, NO-LOAD TO FULL LOAD	0.5%
STEADY STATE REGULATION	±0.25%

LUBRICATION SYSTEM

TYPE OF OIL PUMP	Gear
OIL FILTER	Full flow, cartridge
CRANKCASE CAPACITY	3.8 Liters (4 qts.)

COOLING SYSTEM

TYPE OF SYSTEM	Pressurized, closed recovery
WATER PUMP	Pre-lubed, self-sealing
TYPE OF FAN	Pusher
NUMBER OF FAN BLADES	6
DIAMETER OF FAN	380 mm (15.0 in.)
COOLANT HEATER	120V, 500 W

FUEL SYSTEM

FUEL	
<input type="checkbox"/> Natural Gas or L.P. Vapor	Standard
CARBURETOR	Down draft
SECONDARY FUEL REGULATOR. Nat. Gas or L.P. Vapor Systems	
AUTOMATIC FUEL LOCKOFF SOLENOID	Standard
OPERATING FUEL PRESSURE VAPOR SYSTEMS	11" to 14" H ₂ O

ELECTRICAL SYSTEM

BATTERY CHARGE ALTERNATOR	15 Amps at 12 V
STARTER MOTOR	12 V
RECOMMENDED BATTERY	12 V, 525 CCA @ 0° F/75 A.H., 26R
GROUND POLARITY	Negative



Home Standby - 25 SAE

OPERATING DATA

	STANDBY		PRIME	
	Home Standby - 25 SAE		Home Standby - 25 SAE	
	N.G./L.P.	Rated AMP	N.G./L.P.	Rated AMP
GENERATOR OUTPUT VOLTAGE/KW - 60Hz 120/240V, 1-phase, 1.0 pf	25	104.2	20	83.3
MOTORSTARTING Maximum at 35% instantaneous voltage dip with standard alternator; 60 Hz	48 KVA		48 KVA	
FUEL Fuel consumption - 60 Hz--100% Load ft. ³ /hr. (gal./hr.) m ³ (lit.)/hr.	N.G. 442 12.5	L.P. 183 (5.0) 5.2	N.G. 369 10.4	L.P. 153 (4.2) 4.3
COOLING Coolant capacity System lit.(US gal.) Engine lit.(US gal.) Radiator lit.(US gal.) Coolant flow/min. 60 Hz lit.(US gal.) Heat rejection to coolant 60 Hz BTU/hr. Cooling air flow 60 Hz m ³ /min. (cfm)	6.6 (2) 0.9 (0.25) 6.6 (1.75) 40 (10.6) 120,000 45 (1590)		6.6 (2) 0.9 (0.25) 6.6 (1.75) 40 (10.6) 96,000 45 (1590)	
COMBUSTION AIR REQUIREMENTS Flow at rated power 60 Hz m ³ /min. (cfm)	2.0 (70)		1.6 (51)	
EXHAUST Exhaust flow at rated output 60 Hz m ³ /min. (cfm) Max. recommended back pressure Kpa (Hg) Exhaust temp. at rated output °C (°F) Exhaust outlet size N.P.T. (female)	7.3 (260) 5.0 (1.5") 732 (1350) 1.5"		6.0 (212) 5.0 (1.5") 704 (1300) 1.5"	
ENGINE Rated at RPM 60 Hz HP at rated KW 60 Hz Piston speed 60 Hz m/min. (ft./min.) BMEP 60 Hz	3600 40 590 (1937) 97		3600 32 590 (1937) 78	
POWER ADJUSTMENT FOR AMBIENT CONDITIONS Temperature -3% for every 10°C above - °C -1.5% for every 10°F above - °F Altitude -3% for every 300 m above - m -3% for every 1000 ft. above - ft.	25 77 913 3000		25 77 913 3000	
TRANSFER SWITCH (UL LISTED) <i>If so equipped</i> No. of Poles Current Rating (amps) Voltage Rating (VAC) Utility Voltage Monitor (fixed) <i>Pick-up</i> <i>Dropout</i> Enclosure - NEMA 3R Return to Utility Exerciser 7 minute weekly UL Listed Dimensions (H" x W" x D") Weight	2 200 250 80% 60% Standard 15 seconds Standard Standard 24 x 20.5 x 7.5 50lbs.			

STANDARD ENGINE & SAFETY FEATURES

Home Standby - 25 SAE



- High Coolant Temperature Automatic Shutdown
- Low Coolant Level Automatic Shutdown
- Low Oil Pressure Automatic Shutdown
- Overspeed Automatic Shutdown (Solid-state)
- Crank Limiter (Solid-state)
- Oil Drain Extension
- Radiator Drain Extension
- Factory-Installed Cool Flow Radiator
- Closed Coolant Recovery System
- Stainless Steel Flexible Exhaust Connection
- Rubber-Booted Engine Electrical Connections
- Fuel Lockoff Solenoid
- Isochronous Governor
- Secondary Fuel Regulator (N.G. and L.P.)
- Weather Protective Enclosure (Locking Type)
- Battery Charge Alternator
- Battery Cables
- Battery Tray
- Vibration Isolation of Unit to Mounting Base
- 12 Volt, Solenoid-Activated Starter Motor
- Air Cleaner
- Fan Guard
- Control Console
- UV/Ozone Resistant Hoses
- Engine Block Heater
- Flexible Fuel Lines
- Critical Exhaust Silencer
- Battery Trickle Charger
- Main Line Circuit Breaker _____
- Automatic Transfer Switch (Included with model 04725 only)

Home Standby Control Features:

Home Standby Control Console

Manual/Auto/Off switch
Hour meter
Fault indicator lamp
Fuse (panel overload)
Set exercise time switch

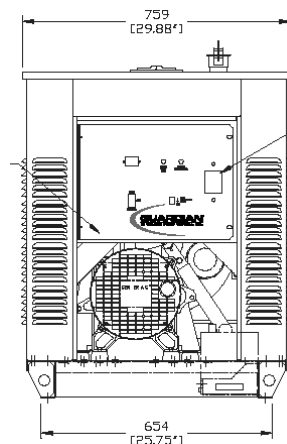
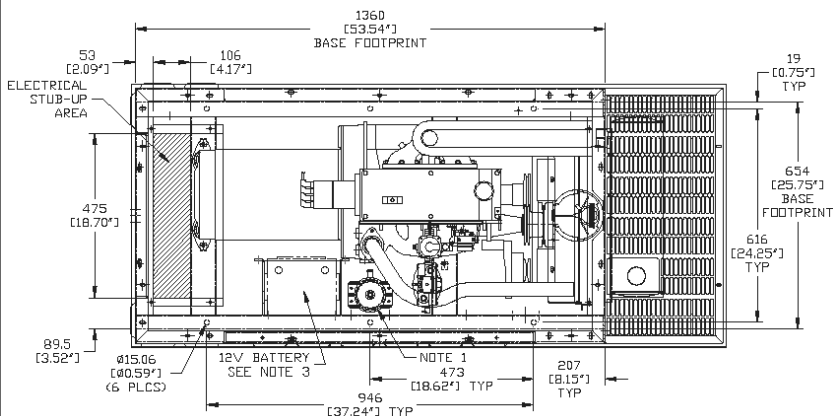
Home Standby Microprocessor Controls

Automatic voltage regulation
Utility voltage sensing
Utility interrupt delay
(10-second setpoint)
Engine warm-up
(10-second setpoint)
Engine cool-down
(1-minute setpoint)
Seven-day exerciser

Distributed by:

Design and specifications subject to change without notice.
Dimensions shown are approximate.
Contact your Generac dealer for certified drawings.
DO NOT USE THESE DIMENSIONS FOR INSTALLATION PURPOSES.

Overall Height = 40 inches
Overall Length = 68 inches



SHIPPING WEIGHT*: 1010 lbs.

*Includes Transfer Switch

GENERAC POWER SYSTEMS, INC. • P.O. BOX 297 • WHITEWATER, WI 53190

WEBSITE: www.guardiangenerators.com